



DUOX VIDEO AMPLIFIER

QUICK START GUIDE

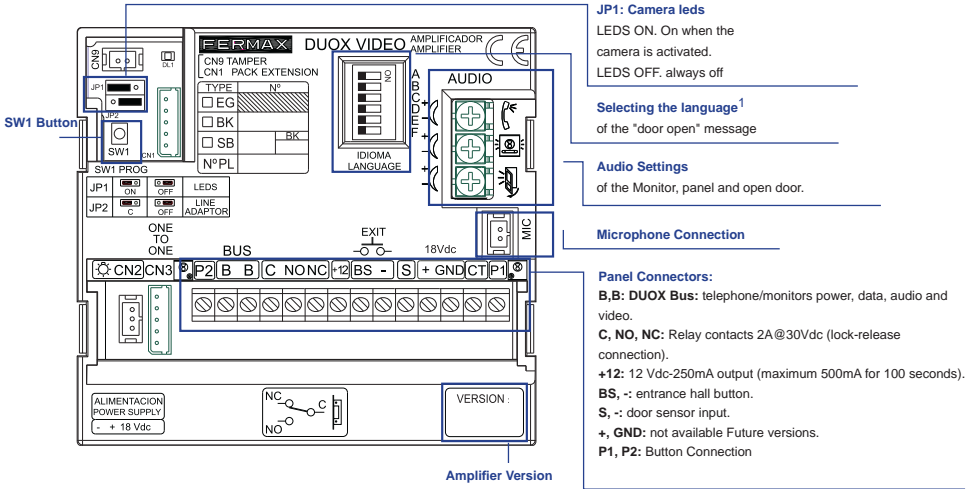




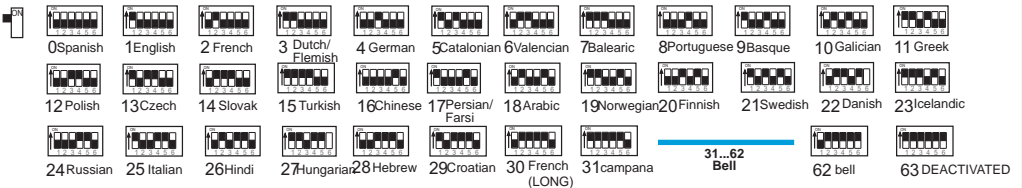
# SETTINGS



## 1. PANEL SETTINGS



### <sup>1</sup>Door open' warning language selection



## 2. HOW TO CONFIGURE THE MASTER PANEL

Press the SW1 button rapidly 3 times in a row. After 2 seconds, you will hear a confirmation tone, and the master panel will be activated. This is necessary if you need to programme the home terminal (monitor). Deactivate the MASTER panel by pressing the SW1 button 3 times in a row.

## 3. ENCODING PANELS\*

Whenever there is more than one panel, you must program the number of panels.

## 4. CAMERA FOCUS / LOCK RELEASE ACTIVATION TIME\*

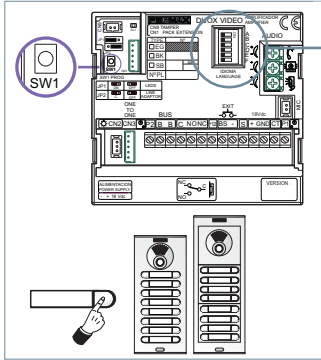
To adjust the camera image or adjust the lock-release activation time.

\* Note:

See Voice assisted configuration in button panels. See Configuration Table in Direct Panel.



## 1. VOICE ASSISTED CONFIGURATION IN BUTTON PANELS



Language selection of the voice messages through the **Synthesizer**. (Languages available: Spanish, English, French, German, Italian and Portuguese).

1. Access configuration by pressing SW1 4 times. The amplifier sounds the message "CONFIGURATION" and starts the process.

In order to exit the configuration process you can press and hold SW1 for 5 seconds otherwise it will exit automatically after 30 seconds of inactivity.

See diagram.

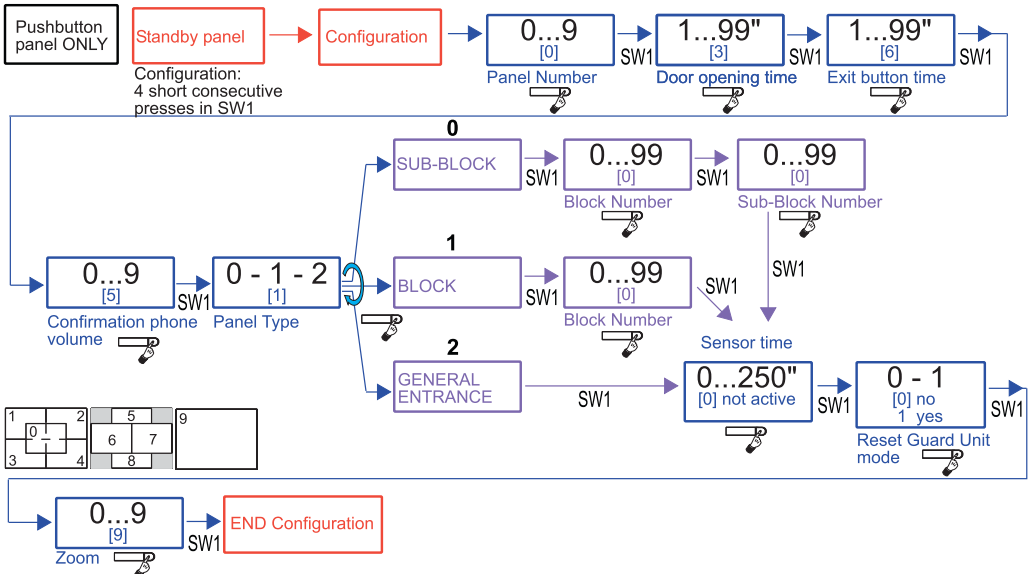
2. By pressing SW1, you advance through the different parameters and it speaks: **currently configured parameter and value**.

After the message has sounded, you can press any call button to change the value, (you will hear a BEEP for each press and the value will increase).

After it is entered, you will hear the new value played after 5 seconds of not pressing anything. When the parameter's value reaches the highest possible value, you will hear a BOOP and the value goes to the minimum for that parameter.

3. If the call button is pressed for 5 seconds, a BOOP sounds and the parameter, if a number, is set to its minimum level and if another value, is reset to the default value.

### DIAGRAM



## 2. CONFIGURATION TABLE IN DIRECT PANEL

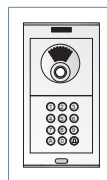
You can configure the parameters using the keyboard.

To do this you will need to enter the configuration mode using a programming access code after pressing 'A'.

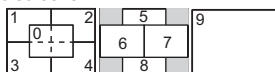
To enter programming: A + 4444 (Default programming access code).

If the code is correct you will hear a confirmation code (beep-beep).

Parameters that can be configured:



Position	Adjust Parameter	Values [default]	Comment
01	Time activ. lock releases	01-99" [03]	Relay activation of lock releases from home or access control.
02	Time activ. exit button	00-99" [06]	Relay activation of lock releases from exit button (terminals Bs y -)
03	Panel type	0: Sub-Block [1]: Block 2: General Entrance	Configuration of panel type
04	Block N°	00-99 [00]	Block number belonging to the panel
05	Sub-Block N°	00-99 [00]	Sub-block number belonging to the panel
06	Panel N°	0-9 [0]	Panel number
07	Door sensor time	000-250 [000] inactive	Maximum time that the door is allowed to remain open once activated
08	Opening code	0000-9999 [0000] inactive	Opening code from the keyboard. The means of entering the code: A + XXXX (4 digits)
09	Programming code	0000-9999 [4444]	Code to access programming
10	MASTER panel	[0]: No / 1: Yes	Activation of panel as master to programme home terminals
11	Caretaker Mode	[0]: No Reset 1: Reset	Reset to night mode by entering "1" in this position
12	Monitor Volume	0-9 [5]	Adjust the volume of the panel monitor
13	RESET settings	[0]: No Reset 1: Reset	Return to default settings by entering a "1" in this position
14	Focus the camera	0-9 [9]	The choice of the different values 0-9 represent each of the video screens



### Configuration of settings

Introduce the two digits of its position, you will hear a beep and then you need to enter the desired value (1, 2, 3 or 4 digits, depending on the setting). If the value is correct you will hear a confirmation tone (beep-beep) and the new value will have been saved. If it was incorrect you will hear the error sound (boop).

Position	+	Possible values	Comment
01...14 (beep)		1, 2, 3 or 4 digits (beep-beep)	Digits depending on chosen setting

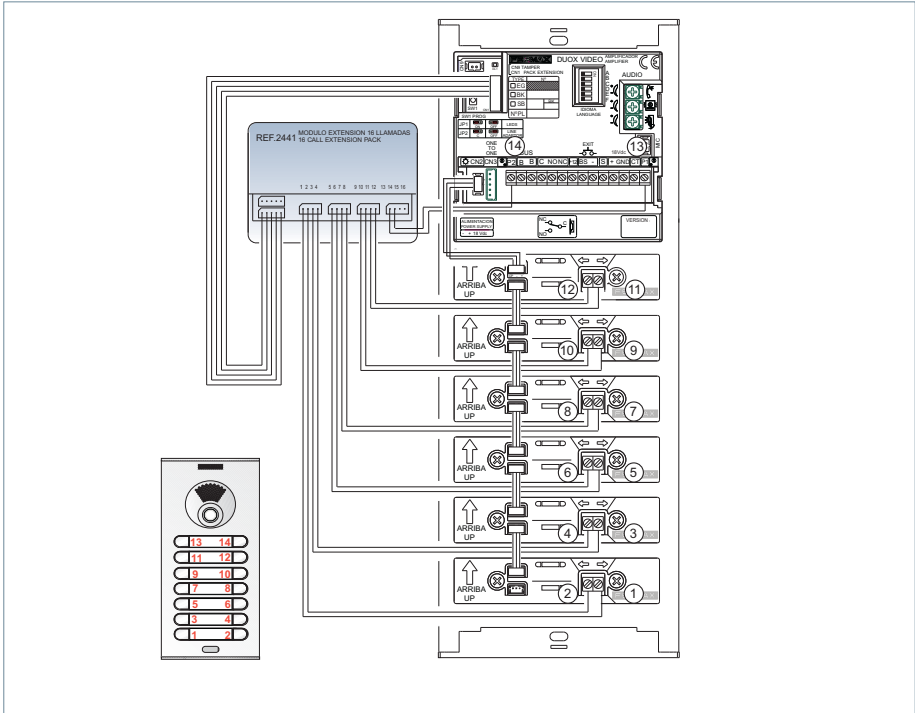
#### Examples

09 (beep)		1128 (beep-beep)	Change of programming code to 1128
01 (beep)		02 (beep-beep)	Change of lock release activation time to 2 seconds

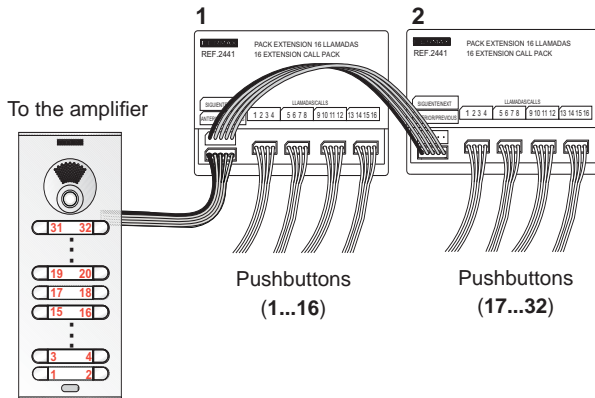
To leave the programming mode you need to press 'A' when introducing the position number of the menu. It will also automatically exit after 60 seconds without the need to press any key, generating a beep-beep tone.



## 1. INTERNAL WIRING: CALL EXTENSION MODULE CONNECTION Ref. 2441



### 1a. CONNECTION TO SEVERAL CALL EXTENSION MODULES (MORE THAN 16 PUSHBUTTONS CONNECTION)





# RESET SETTINGS

## a) RESET Mapping (code for call button)

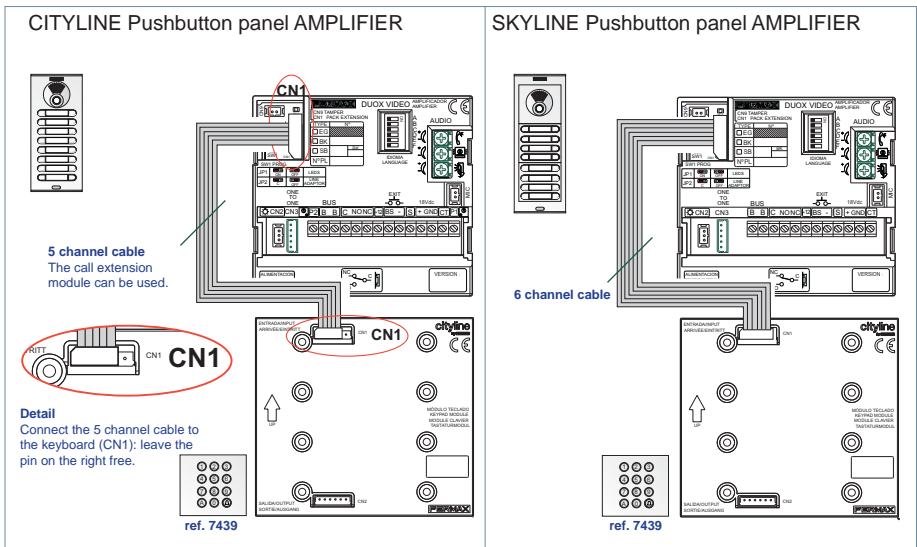
1° To reset the amplifier: remove power supply.

2° While pressing the SW1 button, plug in power supply and continue pressing the SW1 button for 5 seconds. The LED will blink rapidly to indicate that the button mapping has been restored.

## b) RESET of settings to factory default values (by keyboard)

With a Direct Panel introduce the numerical values\*.

With a Pushbutton Panel you will need to temporarily connect a keyboard (ref. 7439) to enter numerical values\*.



\* Note:

See Configuration Table in Direct Panel.



**FERMAX**

Avd. Tres Cruces, 133  
46017 Valencia  
Spain

For extended information, visit [www.fermax.com](http://www.fermax.com)

Contact: [tec@fermax.com](mailto:tec@fermax.com) / [www.fermax.com/contact](http://www.fermax.com/contact)