

This application enables you to manage the VDS Digital System, setting up two-way communication with the system.

PC requirements :

- PC or compatible.
- Operating systems: Windows 95/98/2000/NT/XP/7
- 16 MB RAM.
- Serial/USB port available.

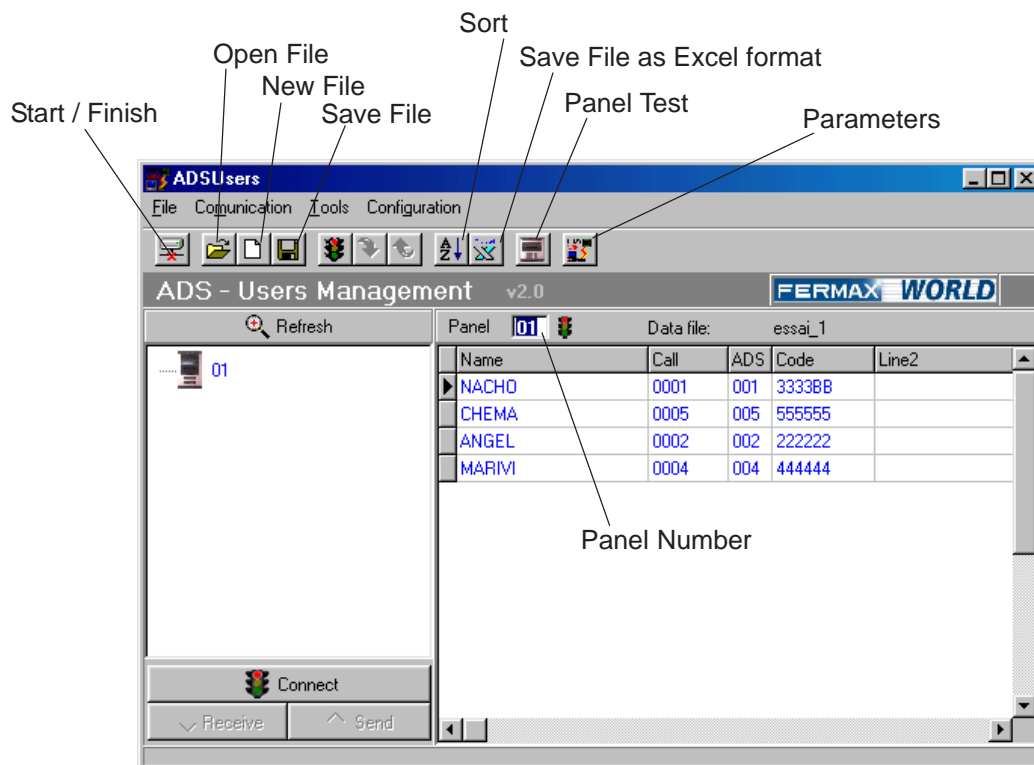
For the connection between the PC and the system (street panel) it must also have an interface module. Options:

- Module Ref. 2338, a serial cable for the PC- Module connection, a twisted pair (only 2 loose wires for short distances) for the Module-Panel connection along with the module's power cable.
- Module Ref. 2466.
- Module Ref. 24661.

**Note:** See installation diagrams at the end.

### Managing the user lists

1.- Click on the first icon (blue figure) situated just beneath the «File» menu and then enter the file access code: «ferma». The following window will appear:



The main window is split into 2 parts: the left side is used for PC-Panel communication. The right side is used to edit and create user lists.

2.- First of all, select a COM serial port (1,2,...) for communication. If you change the existing default port the application will shut down automatically. Reboot the application. The port you have selected will be the one that appears now by default.

3.- Open an existing file or create a new one. To create the user list, follow the same steps indicated to create lists from the outdoor panel. To modify data, click on it and replace directly. To erase data, use the command CTRL+SUPR.

### **Set up communication with the panel**

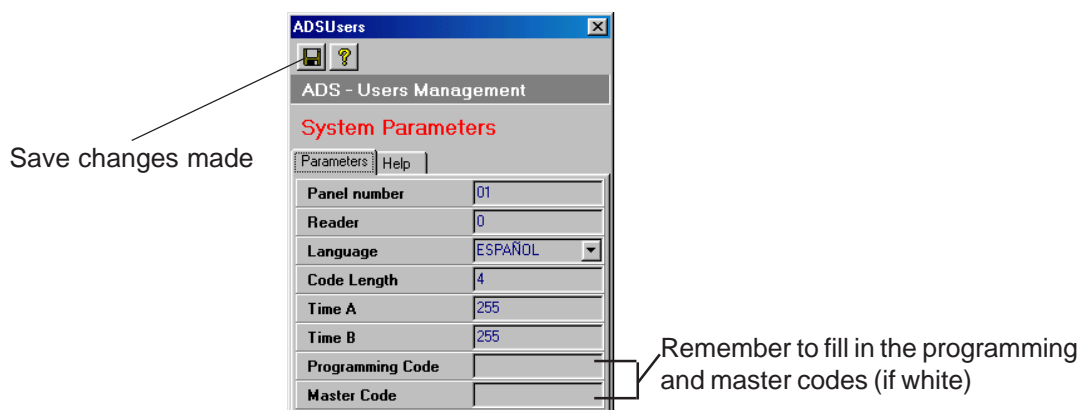
- 4.- Once the file is open you can send/receive data to/from the panel. Write the panel number you wish to establish communication with, in the white box, just above the «Name» field in the user list. It's also possible by clicking twice on the the corresponding panel icon. You can use the «Refresh» button to view the panels connected to the system. Likewise, press the «Panel Test» button to see the number of panels connected.
- 5.- Click on the «Connect» button (small red semaphore) and then enter the system access code (panel programming code, **19025** unless changed). Use the «Send» and «Receive» buttons to transfer data with the system (panel).

Moreover, this application lets you carry out the following actions:

- Change the file access code («**ferma**» by default).  
File --> Application password
- Change the language used:  
File --> Language

### **System parameters check**

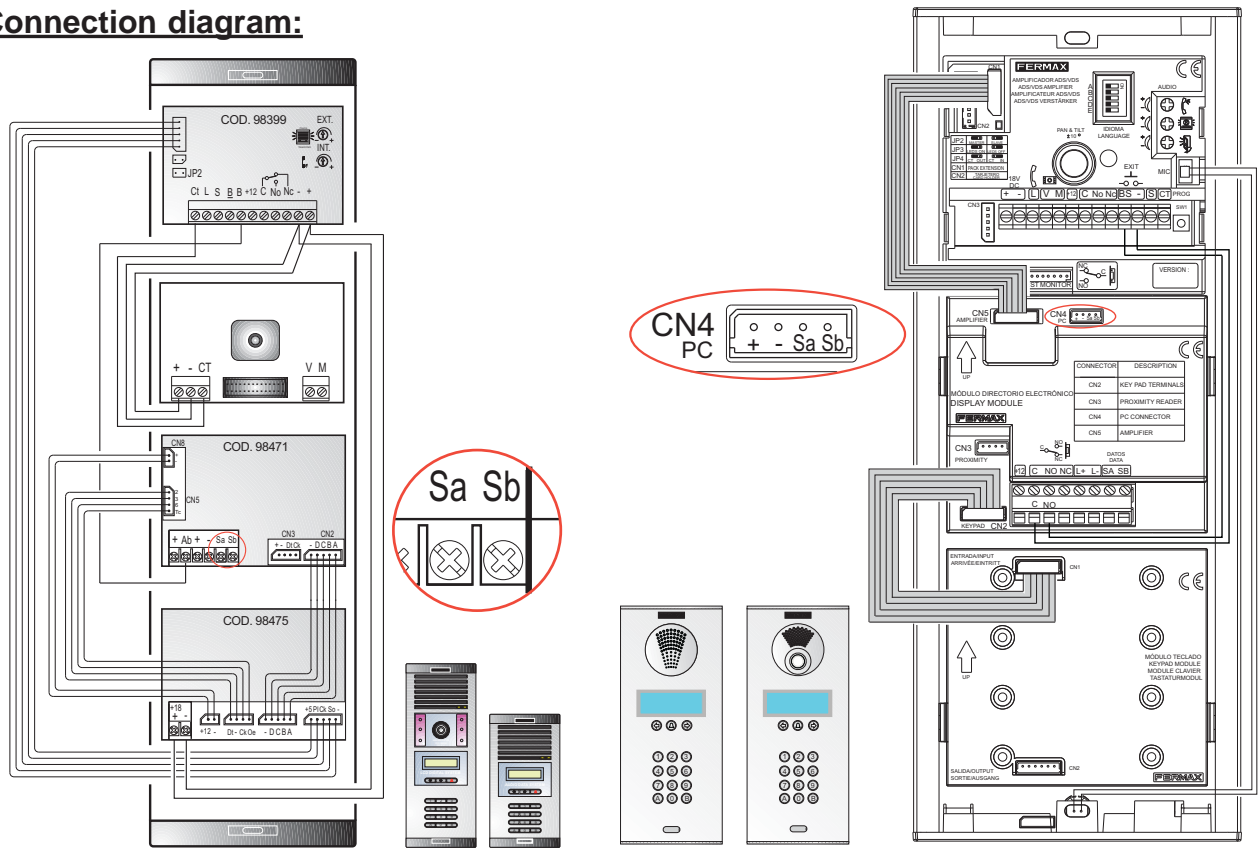
Click on the «Parameters» icon. You will be asked for the system MASTER access code **24797** (unless it has been changed). This option lets you obtain information on the system. System parameters can also be modified from this window.



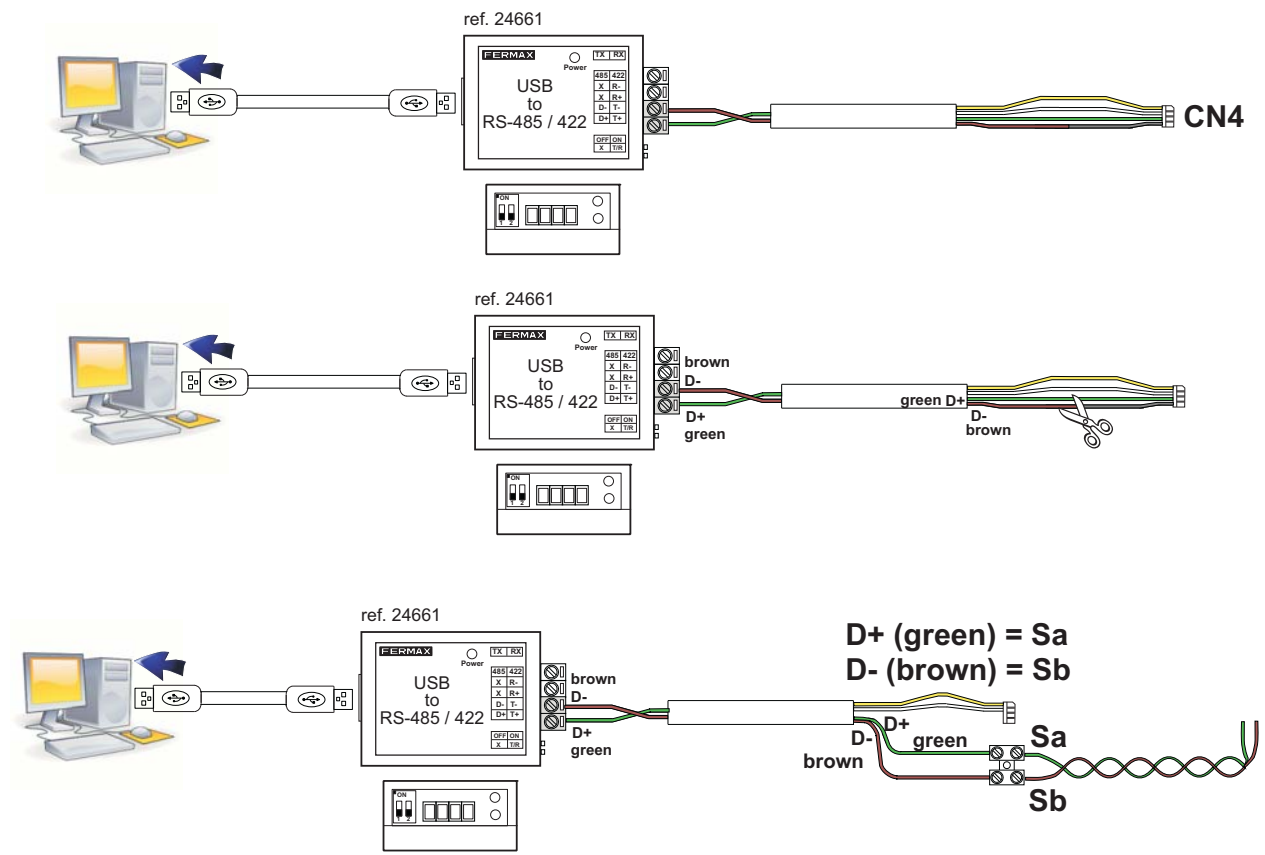
### **NOTES:**

- When sending or receiving new data, the existing data will be replaced.
- The panel must not be in programming mode in order to connect from the PC.
- It is not possible to connect with several panels at once. You must end the connection with a given panel by clicking «Disconnect» (small green semaphore). Now the application is ready for a new connection.
- **Warning!** If the system access codes (Prog. code and Master code) have been changed at the panel, you will have to know them in order to access the system.

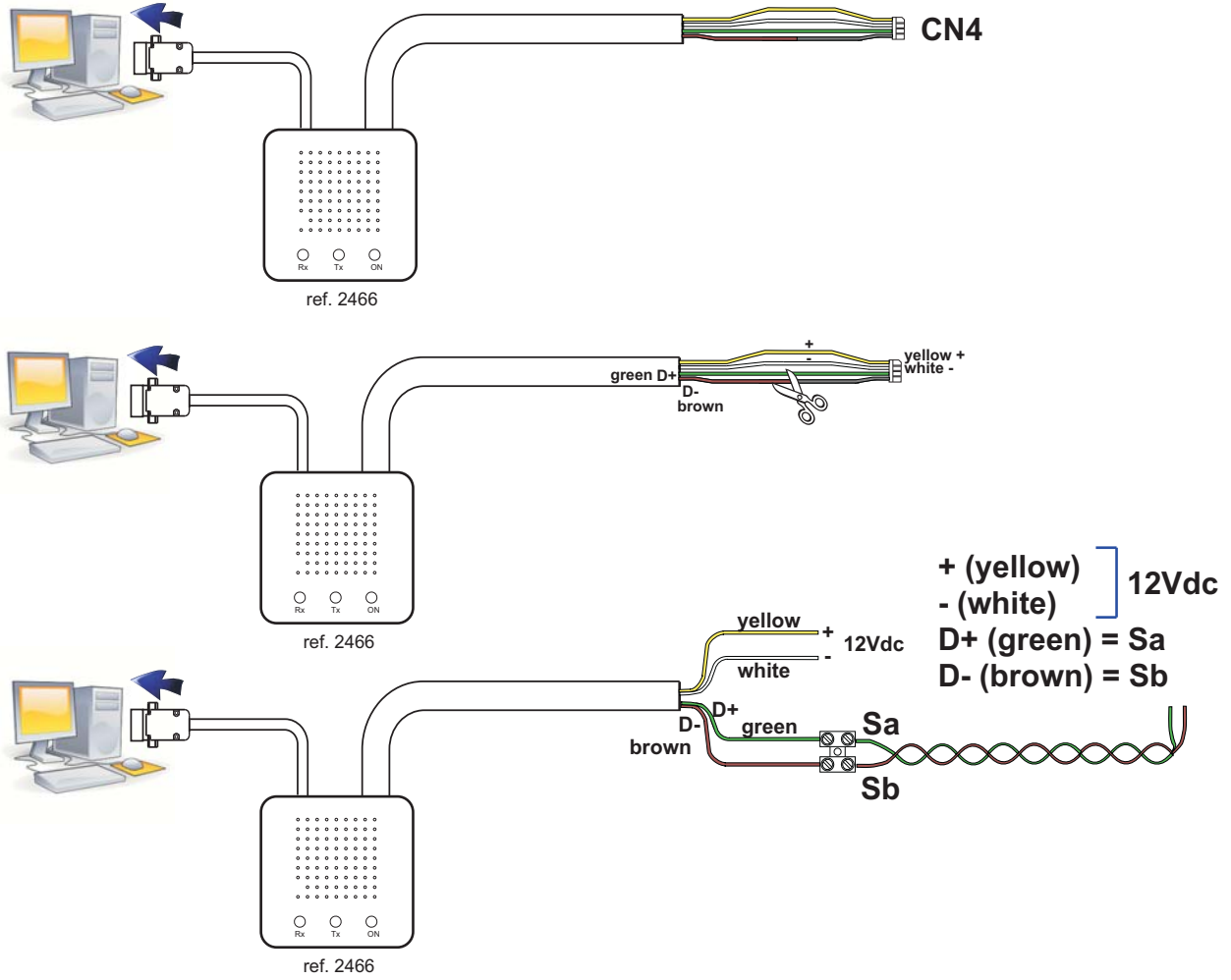
# Connection diagram:



## Module ref. 24661



Module ref. 2466



Module ref. 2338

