

General description

The SIFBUS-L is an infrared movement and brightness level detector for intrusion or lightning control. Designed for cable BUSing® connection, it has a 360° detection angle with an area of 5 m diameter at 2,5 m height. It is possible to program the possibility to program the desired events when there is a motion detection or it finishes or by brightness threshold.

Characteristics

These detectors have a passive infrared sensor which detects movements and luminosity sensor to control the brightness level. They have a high level of immunity from false alarms, electromagnetic fields and temperature variations.

- This type of detectors are indicated to be placed inside homes, buildings, etc.
- Avoid installation in places exposed to direct sunlight and drafts. Also, avoid placing these detectors behind large objects as these will reduce their detection reach.

Technical information

Supply – 9-16 Vdc from BUS

Consumption – 40mA @ 12Vdc

Detection angle – 360°

Detection area – Ø 5 m at 2.5m height

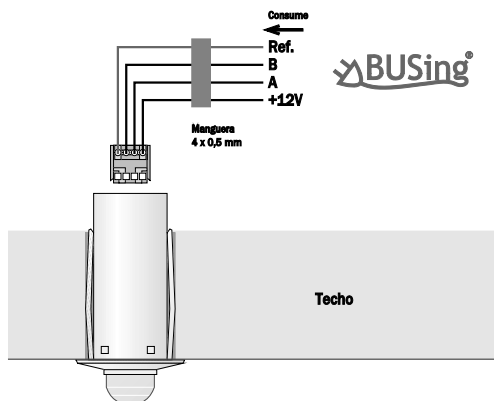
Size – Ø 36 mm (visible) x Ø 25 mm (embedded) x 50 mm

Mounting – Embedded in ceiling or wall

Environment temperature range - Operation: from -10°C to 55°C / Storage: from -30°C to 60°C / Transportation: from -30°C to 60°C.

Regulation - According to the directives of electromagnetic compatibility and low voltage EN 50090-2-2 / UNE-EN 61000-6-3:2007 / UNE-EN 61000-6-1:2007 / UNE-EN 61010-1.

Installation



Remarks

Feed low voltage lines (BUS and inputs) in separate ducting to that of power (230V) and outputs.

Use shielded 4 x 0.22 / 0.5 mm² cable for the BUS.

Follow a color code for the BUS. Our ref: Red +12V, Yellow (data): A, Green (data): B, Black: Ref.

QR code

