

General description

The SifBUS-E is a motion detector with a passive infrared sensor designed to be connected to BUSing®. It has a 360° angle of detection with a 5 m diameter area at 2,5m height. It allows a wide and easy parameterization, being suitable for lighting functions, as well as people detection and intruder control.

Characteristics

These detectors have a passive infrared sensor which detects any movement within its detection range. It has a high level of immunity from false alarms, electromagnetic fields and temperature variations.

- Indicated to be placed inside homes, buildings, etc.
- Avoid installation in places exposed to direct sunlight and drafts. Also, avoid placing the detector behind large objects because it will reduce the detection range.

Development system configuration (SIDE)

- 2 programmable scenes for activation and deactivation of the sensor.
- Up to 30 bus programmable events per scenario.

Technical information

Supply – 9-16 Vdc from BUS

Consumption – 40mA @ 12Vdc

Detection angle – 360°.

Detection area – Ø 5 m at 2,5 m height.

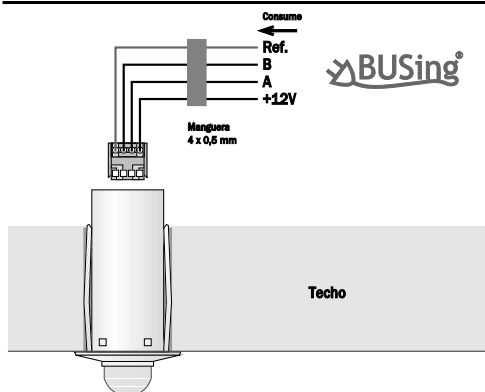
Size - Ø Embedded: 25mm / Ø Seen: 36mm / Length: 50mm.

Mounting - Embedded in ceiling or wall.

Environment temperature range - Operation: from -10°C to 55°C / Storage: from -30°C to 60°C / Transportation: from -30°C to 60°C.

Regulation - According to the directives of electromagnetic compatibility and low voltage EN 50090-2-2 / UNE-EN 61000-6-3:2007 / UNE-EN 61000-6-1:2007 / UNE-EN 61010-1.

Installation



Remarks

Feed low voltage lines (BUS and inputs) in separate ducting to that of power (230V) and outputs.

Use shielded 4 x 0,22 / 0,5mm² cable for the BUS.

Follow a color code for the BUS. Our ref: Red +12V, Yellow (data): A, Green (data): B, Black: Ref.

QR code

