

GENERAL DESCRIPTION

Technical alarms management central that enables SMS messages sending and receiving.

It allows configuring up to 3 telephone numbers, from where it is possible to control the installation through messages, receiving notices of up to 5 technical alarms and arming or disarming the intruder alarm.

It is not required a telephone line for the operation; just a SIM card.

CAPACITY

It allows to control up to 16 installation points and performing 10 programmable scenes, allowing the commands "On", "Off", "Set" and "Execute" via SMS.

It also has 2 relay outputs 10A potential free. For controlling circuits with higher power, insert a contactor.

GSMing has an internal battery, allowing it to send text message advises in case of power failures in the system.

TECHNICAL INFORMATION

Supply – 85-265 Vac // 9-16 Vdc (BUS)

Max. Power consumption – 5 VA @ 230 Vac

Outputs - 2 relay outputs 10A potential free.

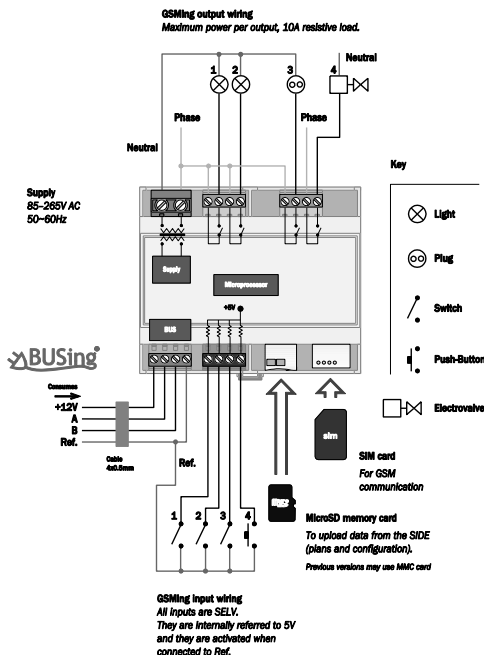
Mounting- DIN rail mounted (9 modules) or in distribution box with depth 70mm.

Environment temperature range - Operation: from -10°C to 55°C / Storage: from -30°C to 60°C / Transportation: from -30°C to 60°C.

Regulation - According to the directives of electro magnetic compatibility and low voltage •EN 50090-2-2 / UNE-EN 61000-6-3:2007 / UNE-EN 61000-6-1:2007 / UNE-EN 61010-1. Independent assembly control device for the inside of electric panel. Resistance to waste powers CTI 175. Number of automatic cycles (A) in one automatic action: 100000 cycles. Long electrical demand period. Complementary characteristics B Class. Continuous operation. Clean

environment. Category of overvoltage immunity II. Category of flammability D.

INSTALLATION



REMARKS

Feed low voltage lines (BUS and inputs) in separate ducting to that of power (230V) and outputs.

Use shielded 4 x 0,22 / 0,5mm² cable for the BUS.

Follow a colour code for the BUS. Our ref: Red +12V, Yellow (data): A, Green (data): B, Black: Ref.

QR-CODE

